

Memory Card Replacement Instructions

Follow the instructions in this sheet carefully. Failure to follow these instructions could damage your equipment and void its warranty.

Note: Instructions covering customer-installable parts are available at <http://www.info.apple.com/installparts/>.

Warning: During this procedure, keep small parts away from children.

Tools Required

The following tools are required for this procedure:

- Soft cloth (larger than the computer)
- #0 Phillips screwdriver.

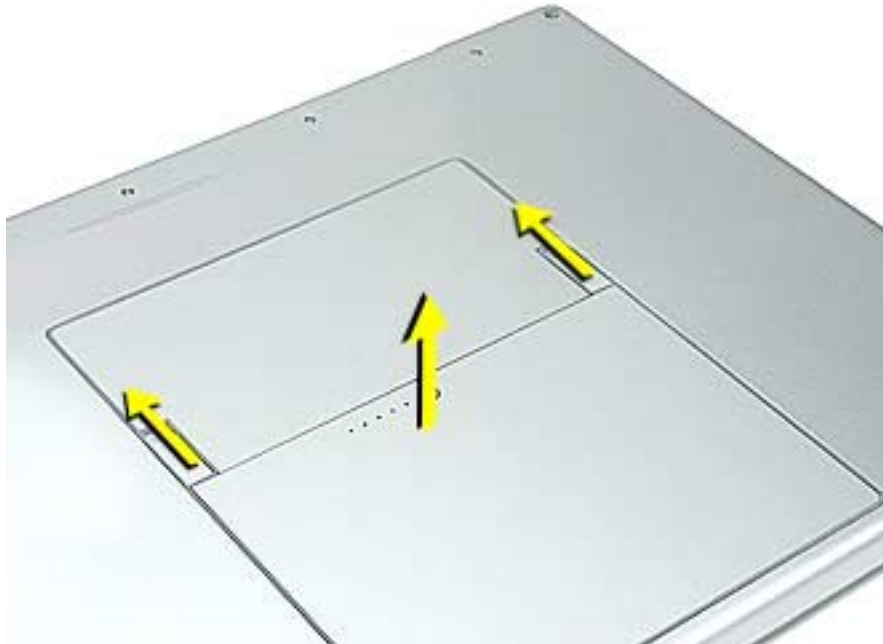
Opening the Computer

Warning: Always shut down your computer before opening it to avoid damaging its internal components or causing injury. After you shut down the computer, the internal components can be very hot. Let the computer cool down before continuing.

1. Place your computer on a soft cloth on a flat surface.
2. If you think your computer is in sleep, press the power button on the front of the computer to wake it.
3. Shut down your computer. Disconnect the power adapter, phone cord, and any other cables connected to the computer. Wait five minutes before continuing.

4. Close the display, turn the computer over and locate the release latches on either side of the battery. Slide both latches up. The battery should pop up slightly. **(Figure 1)**
5. Lift the battery out of the battery bay.

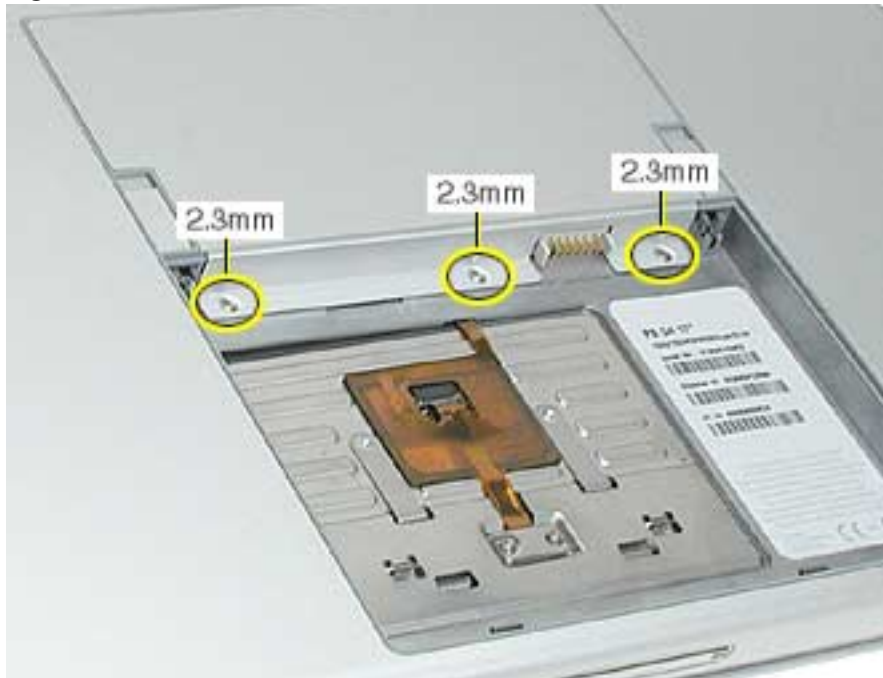
Figure 1



6. Remove the three screws from the memory door. **(Figure 2)**

Note: Check for lost screws caught by magnets inside the front edge of the battery well.

Figure 2



7. Lift the memory door up slightly and slide it straight back to remove. **(Figure 3)**

Figure 3



8. Touch a metal surface inside the computer to discharge any static electricity from your body. **(Figure 4)**

Figure 4

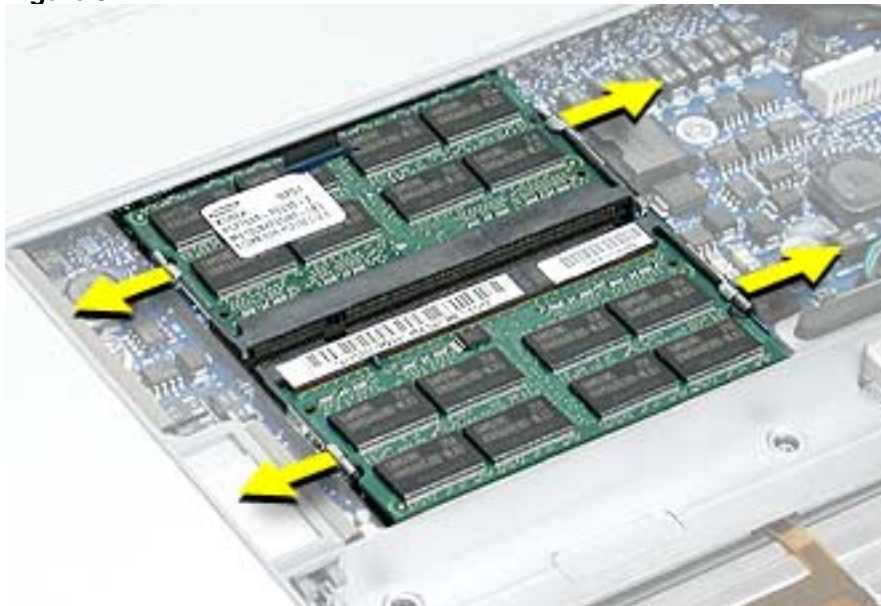


Removing the Installed Memory Card

Note: If only one memory card is installed, the factory installs it in the top memory slot (nearest to outside edge of the computer). Qualified memory can be installed in either slot, in any order.

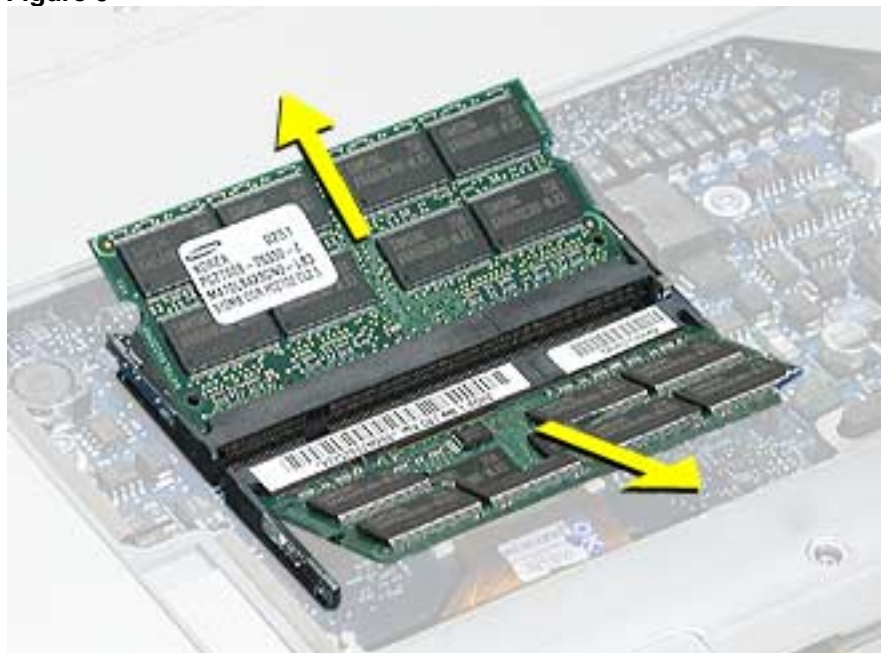
1. To remove either memory card, first release it by spreading apart the tabs in the memory slot from the notches in the card until the card pops up slightly. **(Figure 5)**

Figure 5



2. Pull the card straight out of the memory slot. **(Figure 6)**

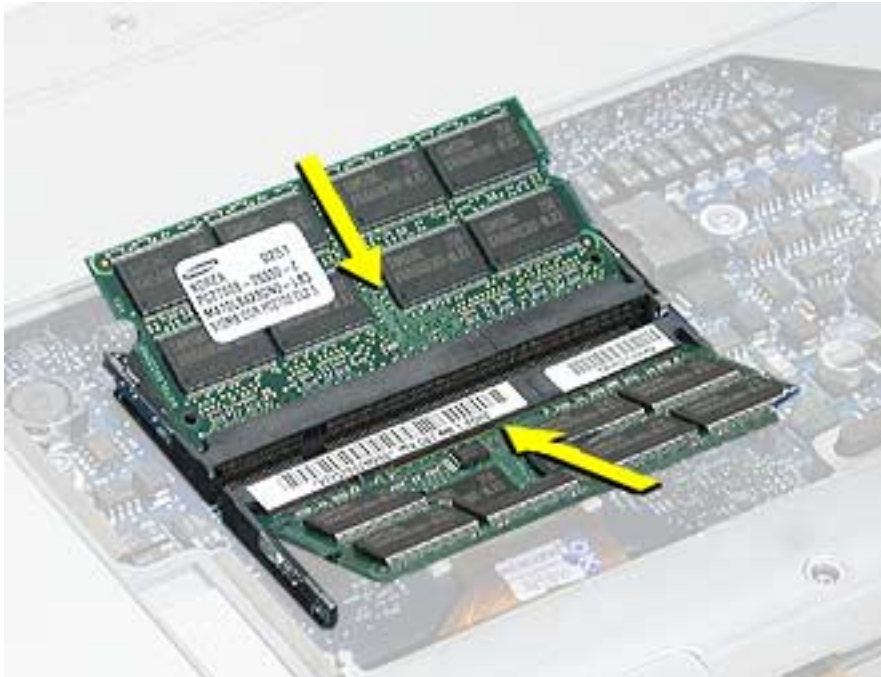
Figure 6



Installing the Replacement Memory Card

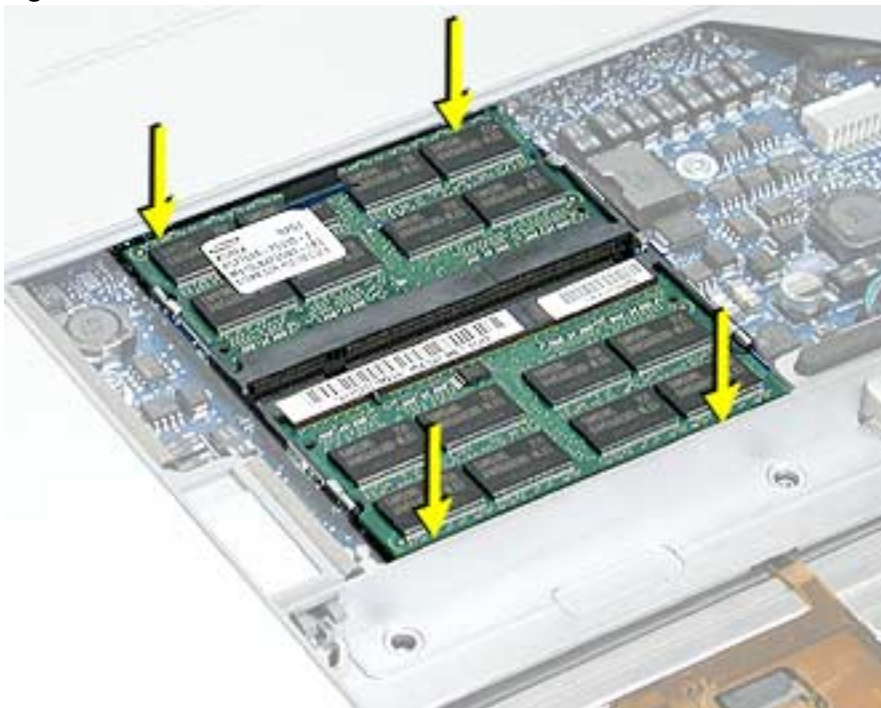
1. Align the notch in the board with the tab in the slot and insert replacement memory cards at a 30-degree angle, pushing the card firmly until fully seated. **(Figure 7)**

Figure 7



2. Check that the notches in the card clear the tabs as you press down on the sides of the card to lock it into place. **(Figure 8)**

Figure 8



Closing the Computer

1. To reinstall the memory door, hold it at a low angle to the battery bay and slide it in under the back edge, then lay it flat. **(Figure 9)** If the door springs up and does not lay flat without tension, remove it and reinstall at a lower angle.

Figure 9



2. Install the memory door screws. **(Figure 10)**

Note: Before securing, check that the door edge rests flush and inside the ridge.

Figure 10



-
3. Replace the battery.
 4. Use Apple System Profiler to verify that the memory is recognized. (Choose the menu bar Apple logo (🍏) > About This Mac, click More Info..., select the System Profile tab, open the Memory Overview.)

🍏 Apple Computer, Inc.

© 2003 Apple Computer, Inc. All rights reserved.

This document is protected under U.S. Copyright Law and International Treaties, and no part of this document may be reproduced in any form without written permission from Apple.

Apple is not responsible for typographical, printing, or inadvertent errors.

Apple Computer, Inc.
1 Infinite Loop
Cupertino, CA 95014-2084
USA
+ 1 408 996 1010
<http://www.apple.com>

Apple, the Apple logo, and PowerBook are trademarks of Apple Computer, Inc., registered in the U.S. and other countries.